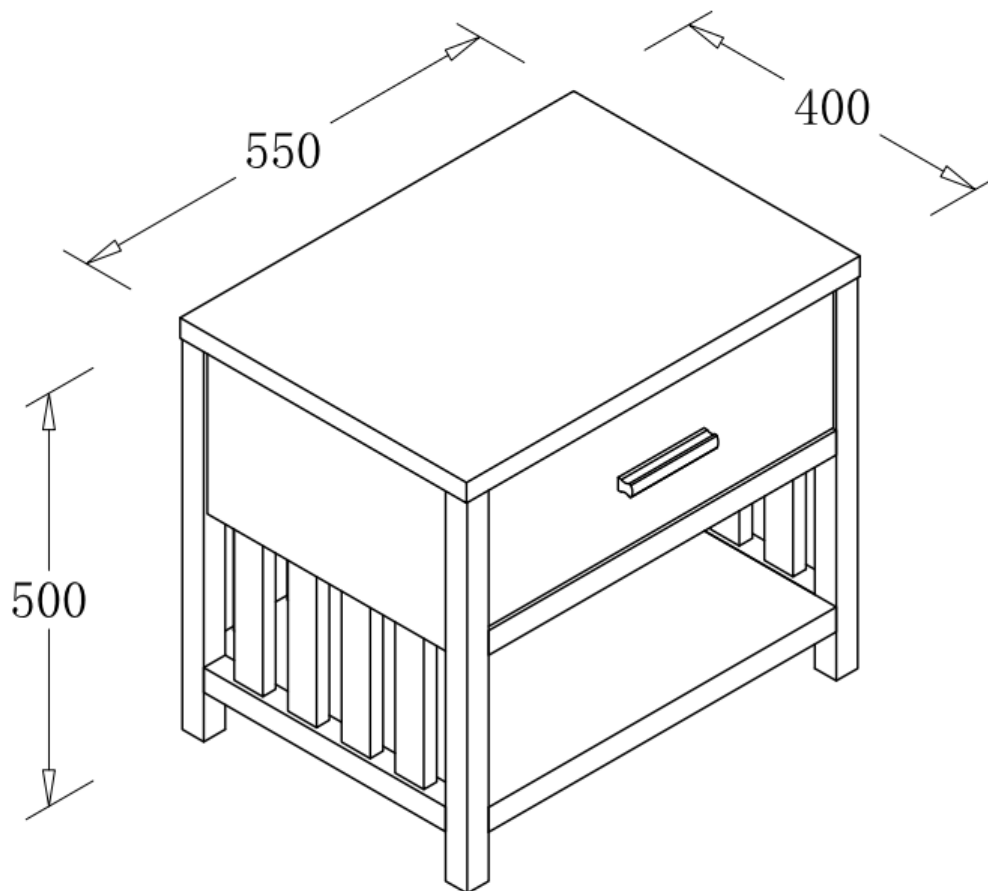




**ASSEMBLY INSTRUCTION
ENNEAD BEDSIDE
ITEM CODE 85167**

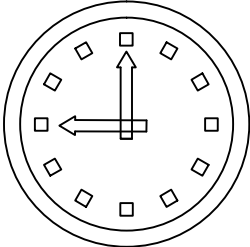
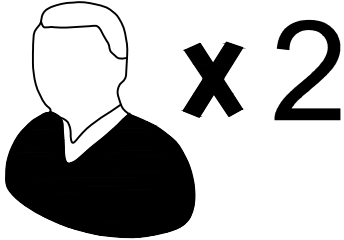



Imported by Amart Furniture Pty Ltd. Qld. Brisbane Australia.
For any assistance with assembly or for missing parts please phone Amart Furniture
Customer Service Free call 1800 351 084

PRE-ASSEMBLY PREPARATION

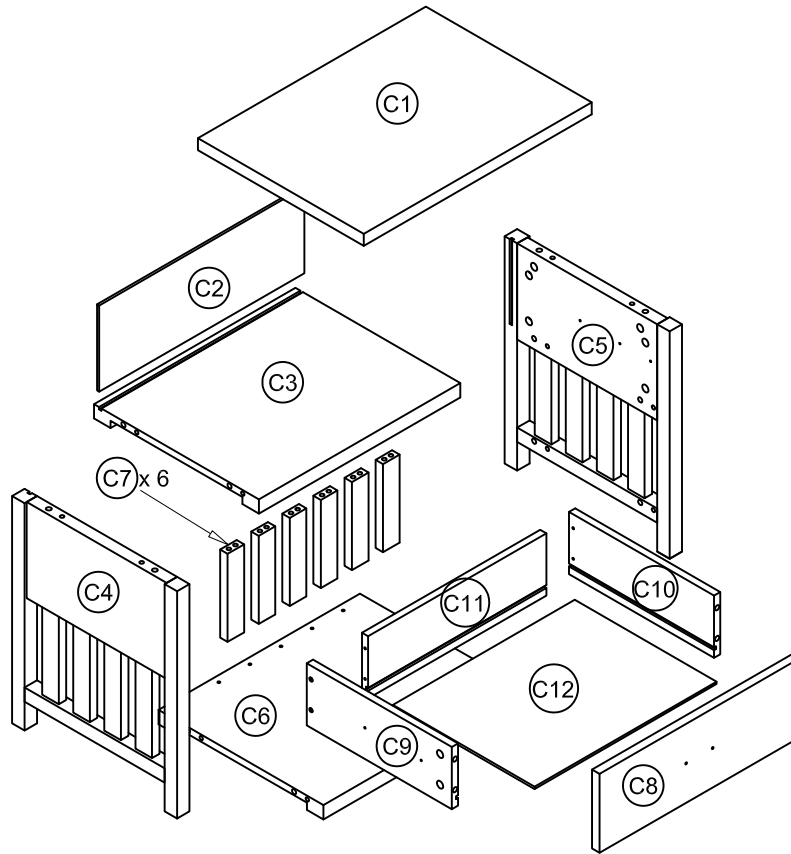
Before you start:

1. Choose a clean, level, spacious assembly area. Avoid hard surfaces that may damage the product
2. Take care when lifting. Product should be assembled as near as possible to the point of use
3. Ensure that you have all required contents for complete assembly.
4. Always read the assembly instructions carefully before beginning assembly.
5. Keep all hardware parts and packaging out of reach of small children.
6. Do not over tighten the screws and bolts as this may damage the threads

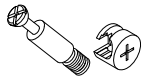

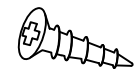

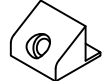
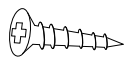




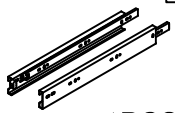


 <p>ALLOW 45 MINUTES</p>	 <p>2 PEOPLE REQUIRED</p>
 <p>ADDITIONAL TOOLS REQUIRED</p>	

⚠ WARNING		
		<p>Children have died from furniture tipover.</p> <ul style="list-style-type: none">• ALWAYS secure it with an anchor device.• NEVER allow children to stand, climb or hang on drawers, doors, or shelves.• NEVER open more than one drawer at a time.• Place heavy items down low <p>NEVER put a TV on this furniture </p> <p>This is a permanent label. Do not remove!</p>

PARTS LIST



C1	TOP PANEL	C9	DRAWER LEFT SIDE PANEL
C2	BACK PANEL	C10	DRAWER RIGHT SIDE PANEL
C3	MIDDLE PANEL	C11	DRAWER BACK PANEL
C4	LEFT SIDE PANEL	C12	DRAWER BOTTOM PANEL
C5	RIGHT SIDE PANEL		
C6	BOTTOM PANEL		
C7X6	BACK RAIL		
C8	DRAWER FRONT PANEL		

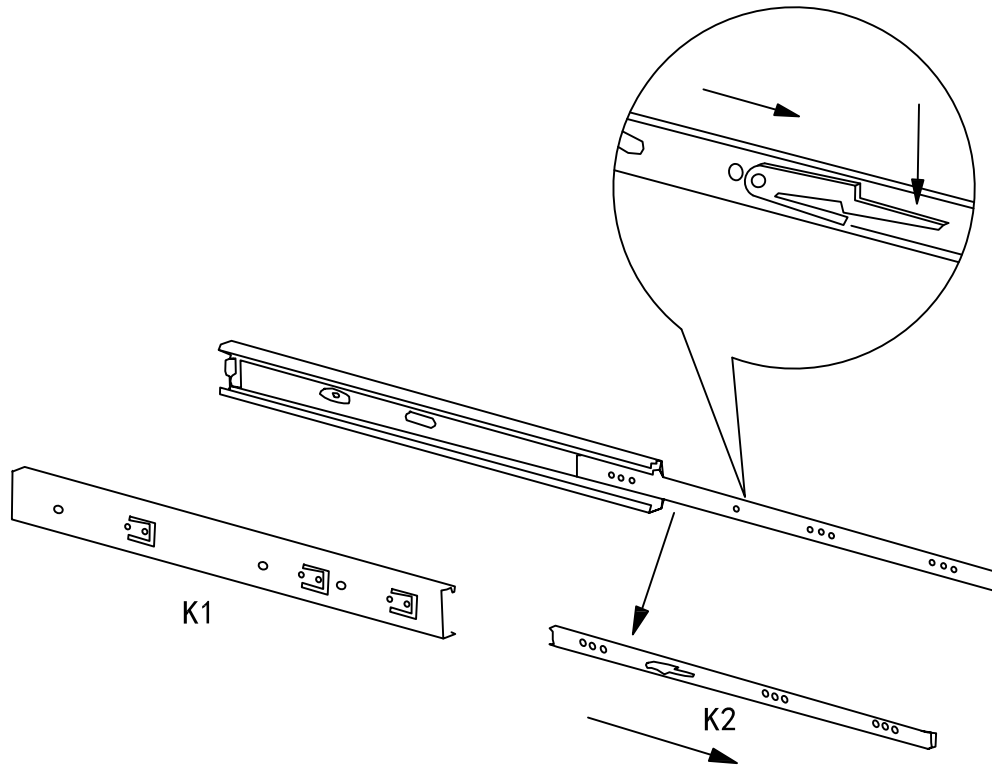
<input type="checkbox"/> A.Cam lock and Cam pin Ø15X35  16PCS	<input type="checkbox"/> B.Dowel Ø8x30  24PCS	<input type="checkbox"/> C.Screw Ø3.5x12  12PCS	<input type="checkbox"/> D.Screw Ø3.5x30  4PCS	<input type="checkbox"/> E.Connector 18x16x10  4PCS	<input type="checkbox"/> F.Screw Ø3x18  4PCS	<input type="checkbox"/> G.Bolt M4x30  2PCS
<input type="checkbox"/> H.Screw Ø4x40  6PCS	<input type="checkbox"/> I.Protect Foam Ø25X5mm  4PCS	<input type="checkbox"/> J.GLUE  1PCE	<input type="checkbox"/> K.Runner 250mm  1PCS	<input type="checkbox"/> L.Safety Bracket Kit  1PCS	<input type="checkbox"/> M. Handle  1PCS	<input type="checkbox"/>

85167

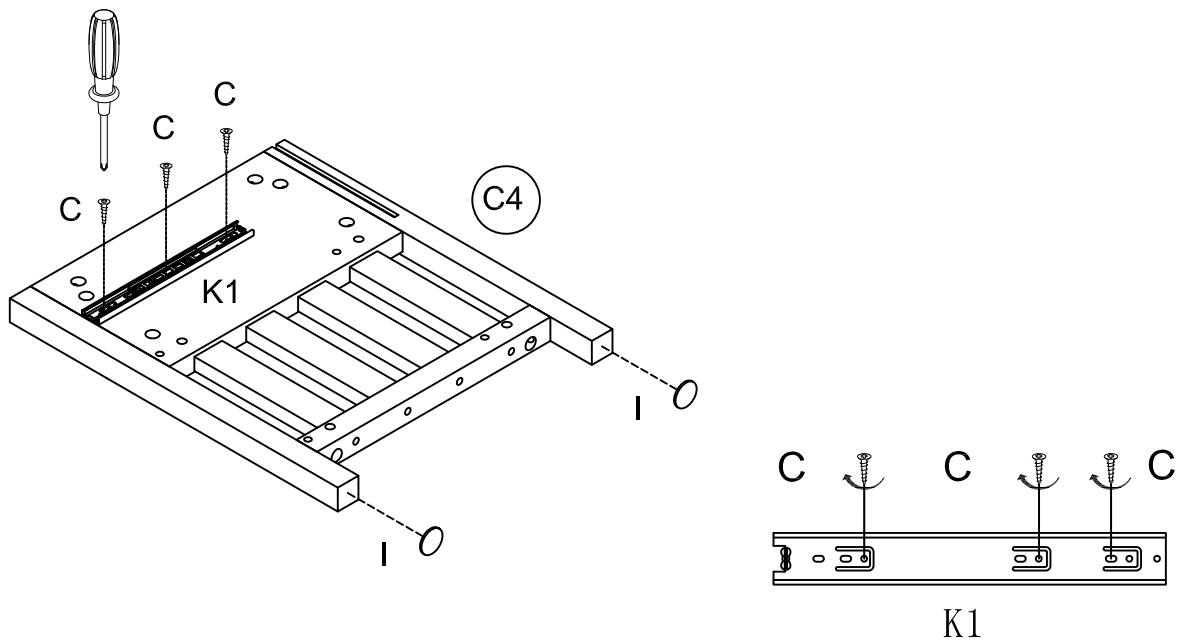
STEP 1:

Runner slide separately (K=K1+K2)

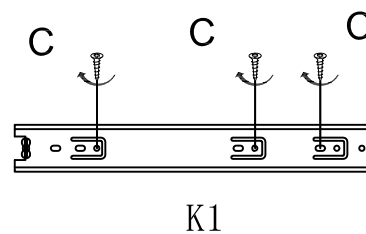
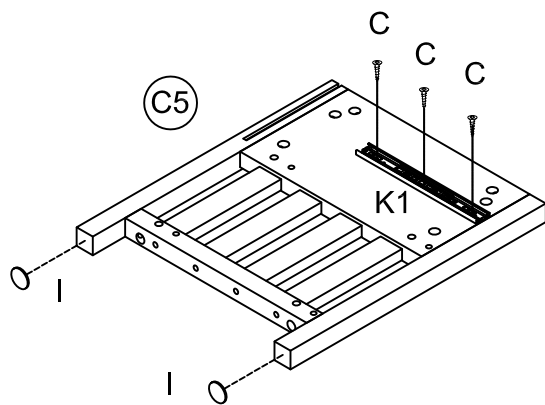
Carefully pull out the runner slide (K2) and press plastic clip to fully separate runner slide as diagram shown



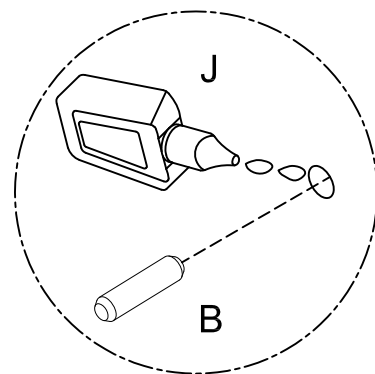
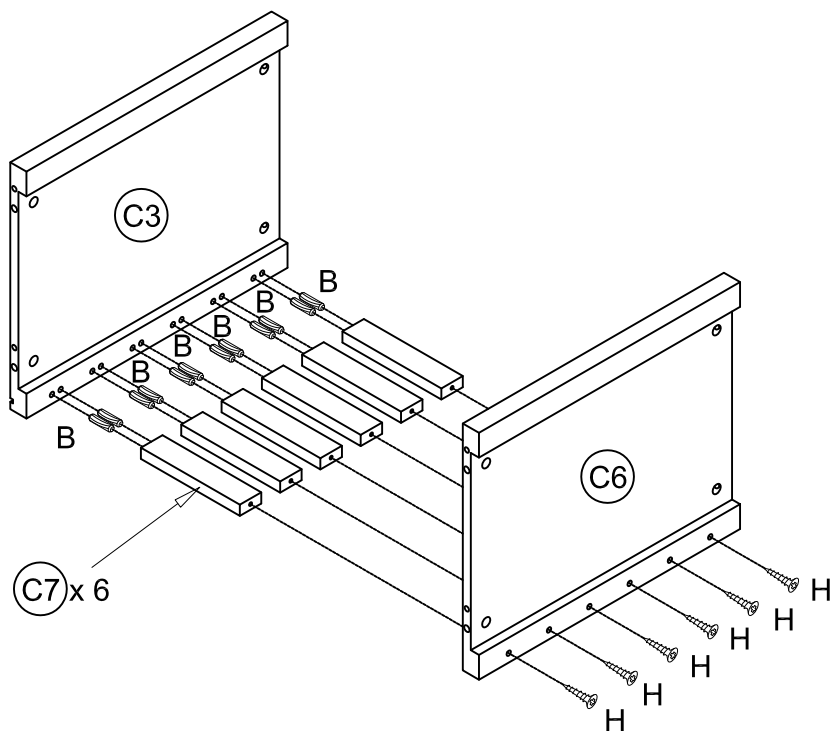
STEP 2: Use Phillips Head Screwdriver to attach Runner(K1) to the Left Side Panel(C4) with Screw (C), stick Protect Foam(I) to the bottom.



STEP 3: Use Phillips Head Screwdriver to attach Runner(K1) to the Right Side Panel(C5) with Screw (C),stick Protect Foam(I) to the bottom.

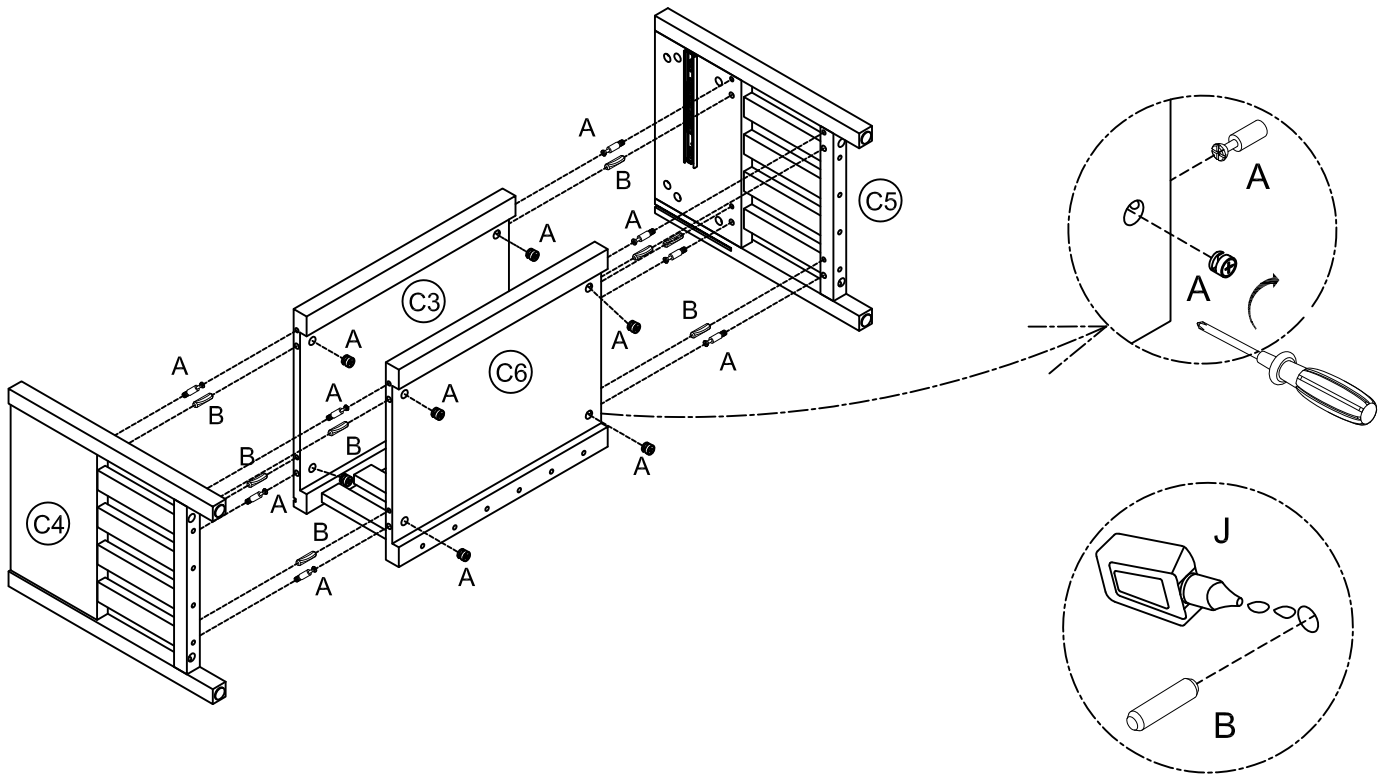


STEP 4: Insert the Dowel(B) to connect Back Rail (7) to the Middle Panel(C3) with Glue(J),Use Phillips Head Screwdriver to attach Back Rail(C7) to the Bottom Panel(C6) with Screw(H)

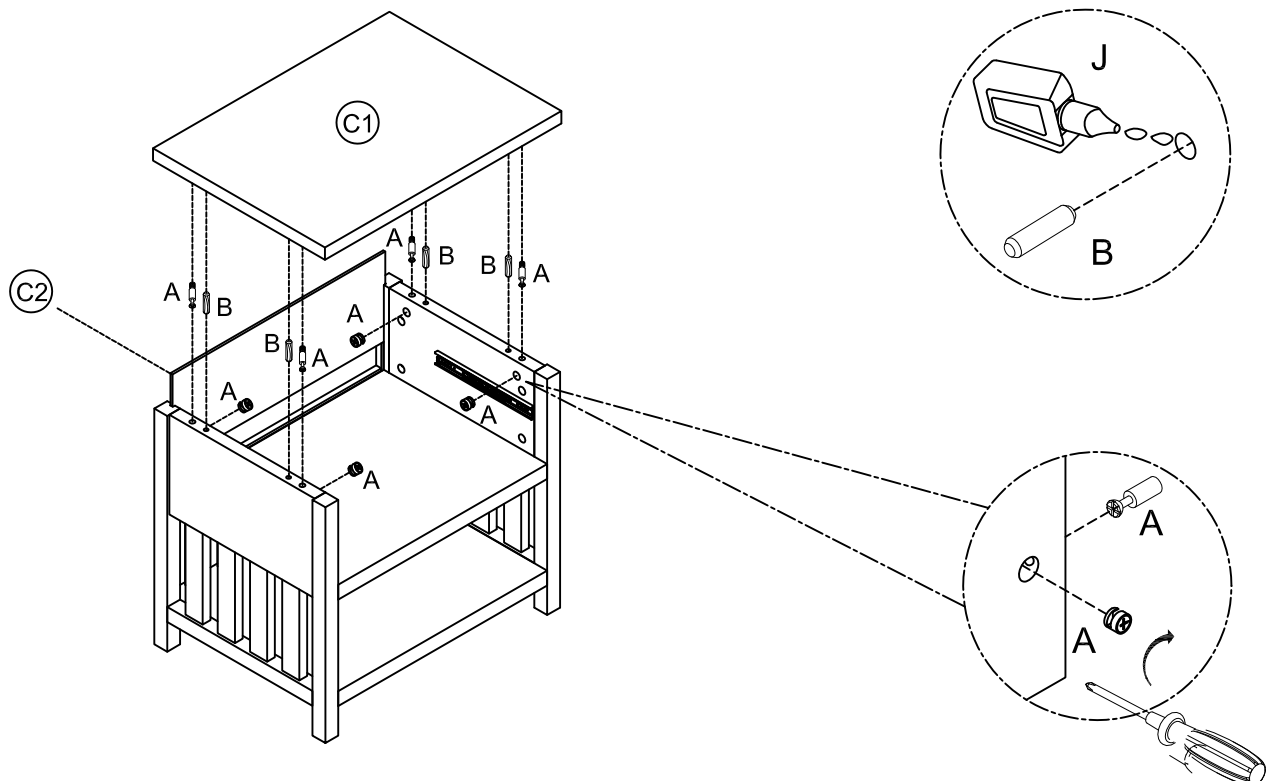


85167

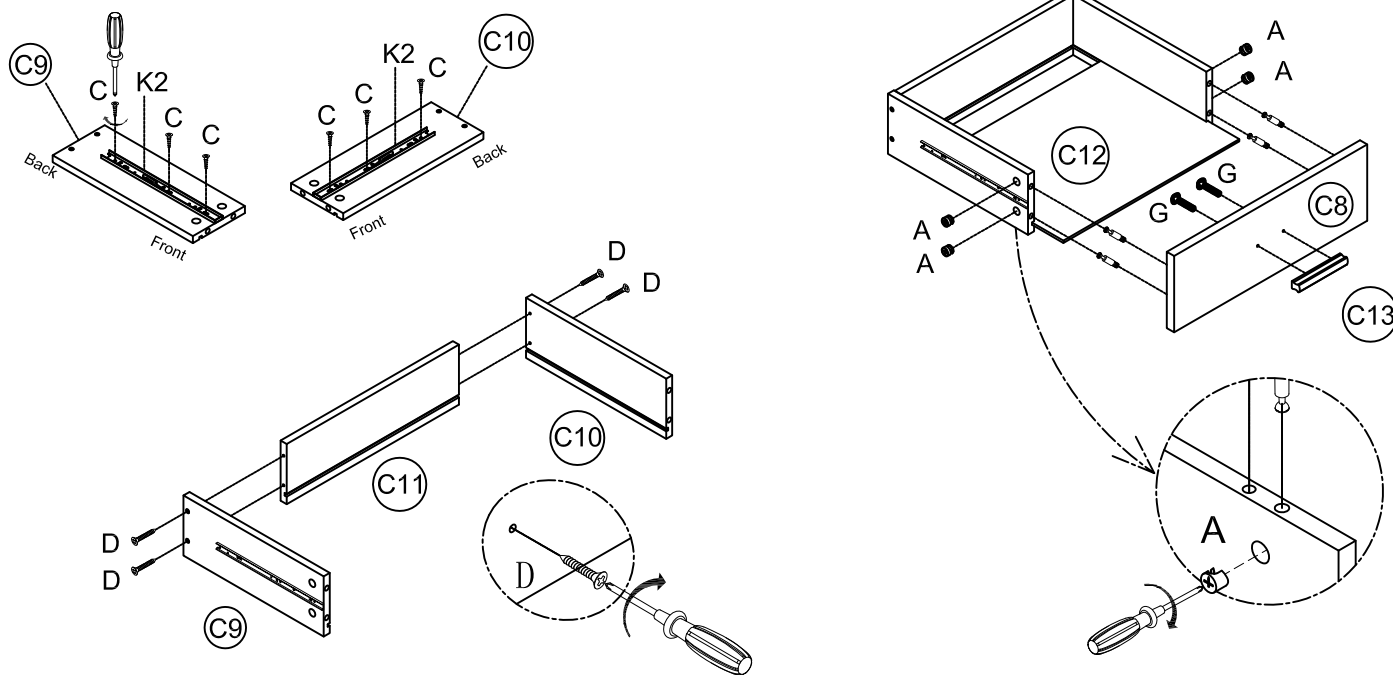
STEP 5: Insert the Dowel(B) to Side Panel(C4,C5) with Glue(J), Use Phillips Head Screwdriver to attach Cam Pin(A) to the Side Panel(C4,C5), Use Phillips Head Screwdriver to assemble Bottom Panel(C6) an Middle Panel(C3) to the Side Panel(C4,C5) with Cam Lock (A).



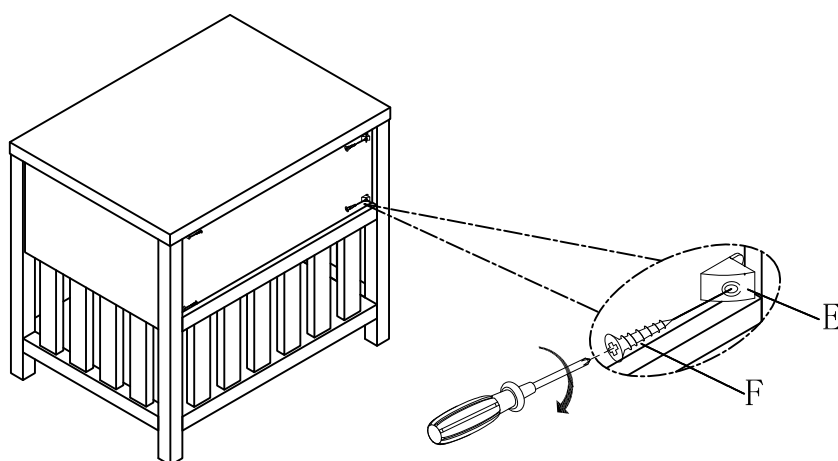
STEP 6: Insert the Back Panel(C2) to the Panel(C3,C4,C5), Insert the Dowel (B) to the Side Panel (C4,C5) with Glue(J), Use Phillips Head Screwdriver to attach Cam Pin(A) to the Top Panel (C1), assemble the Top Panel(C1) to the Side Panel(C4,C5) with Cam Lock(A).



STEP 7: Use Phillips Head Screwdriver to attach Runner(K2) to the Drawer Side Panel(C9,C10) with Screw (C), Assemble Drawer Back Panel(C11) to the Side Panel(C9,C10) with Screw(D). Insert the Drawer Bottom Panel(C12) to the Side Panel(C9,C10) and Drawer Back Panel (C11), Use Phillips Head Screwdriver to attach Cam Pin (A) to the Drawer Front Panel(C8) Assemble the Drawer Front Panel (C8) to the Drawer Side Panel(C9,C10) with Cam Lock(A) Assemble the Handle(C13)to the Drawer Front Panel (C8) with Bolt(G).



STEP 8: Use Phillips Head Screwdriver to attach Connector (E) to the back corner with Screw(F).



85167

SAFETY BRACKETS INSTRUCTIONS

This furniture poses a tipping risk and as such must be secured to a wall using the provided tipping kit.

1. Attach one Mounting Plate to the wall with the Large Screws. Make sure to attach the Mounting Plate into a stud. If mounting into brick or masonry you will need to acquire wall anchors. Please enquire with your local hardware supplier for appropriate fixings.
2. Attach the second Mounting Plate to the furniture frame with the Short Screws.
3. Move the furniture to its final position. Thread a Wall Strap through the both Mounting Plates and tighten until snug. Do not over tighten.
4. Make sure that the Mounting Plates are firmly attached to the wall and furniture and that the Wall Strap is snug.

HARDWARE



Mounting Plate x 2



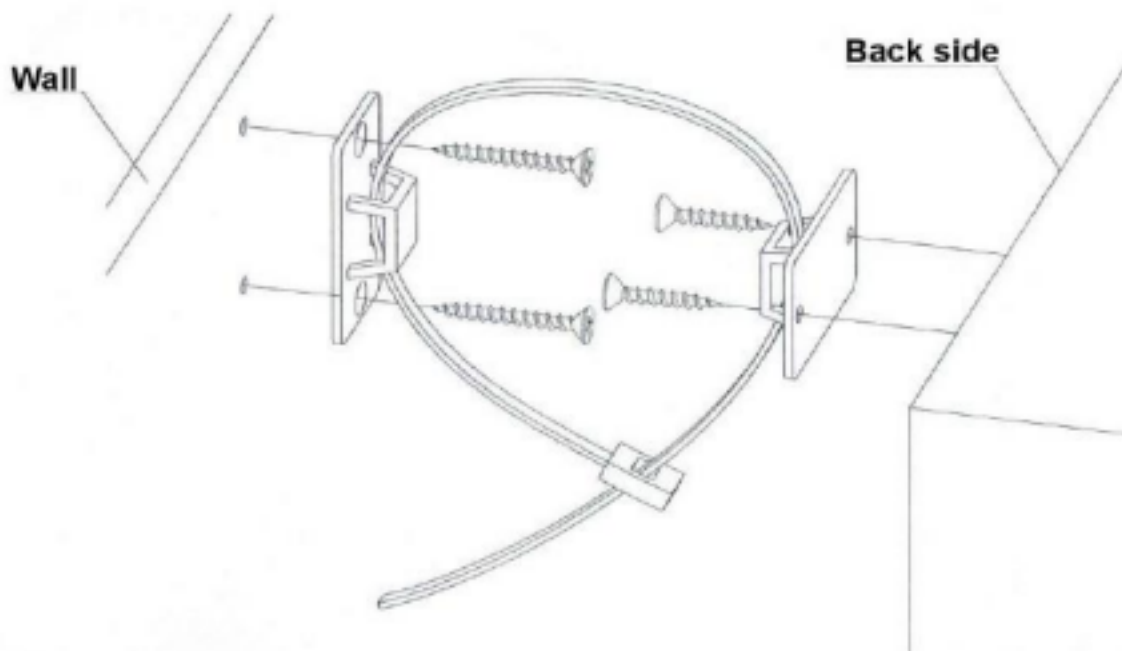
Wall Strap x 1



Large Screw x2



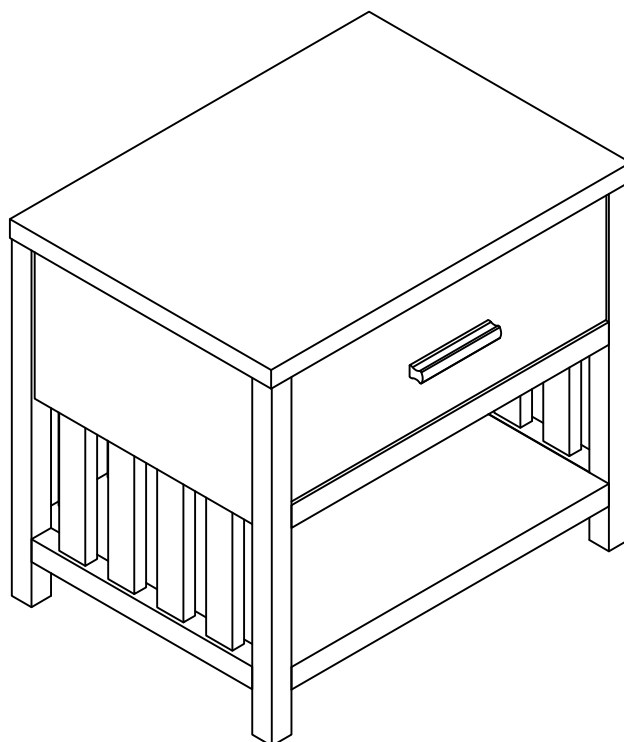
Small Screw x2



Assembly is complete

CAUTION:

**ALWAYS LIFT YOUR PRODUCT WHEN MOVING/RELOCATING.
DO NOT DRAG. DRAGGING CAN CAUSE DAMAGE TO THE
LEGS**



Note-

Do not drag the furniture as this may cause damage to the legs. Instead, use 2 persons to lift carefully from either end.

General Product Care

To protect your furniture, we suggest the following:

- Avoid placing your furniture in direct sunlight.
- Do not place furniture directly under windows.
- Do not place sharp materials (knife, fork, etc.) directly onto your furniture as sharp material may scrape and damage the finish.
- Do not place material with high temperature directly onto the surface of your furniture.
- Clean up spills quickly. Water left over a prolonged period of time may cause damage. Alcohol, perfume, nail polishes, aftershave and some medication may cause severe finish damage if not cleaned immediately.
- Use a clean, soft, dry, lint free absorbent cloth to clean your furniture. Do not use any detergent as they may contain ingredients that may react and damage the finish.